

Technical data sheet

Product features



Cooking range induction WOK digital

Model	SAP Code	00013613
--------------	-----------------	----------



- Device type: Electric unit
- Power consumption of the zone 1 [kW]: 5
- Material: AISI 304

SAP Code	00013613	Power electric [kW]	5.000
Net Width [mm]	400	Loading	400 V / 3N - 50 Hz
Net Depth [mm]	900	Number of zones	1
Net Height [mm]	280	Power consumption of the zone 1 [kW]	5
Net Weight [kg]	26.00		

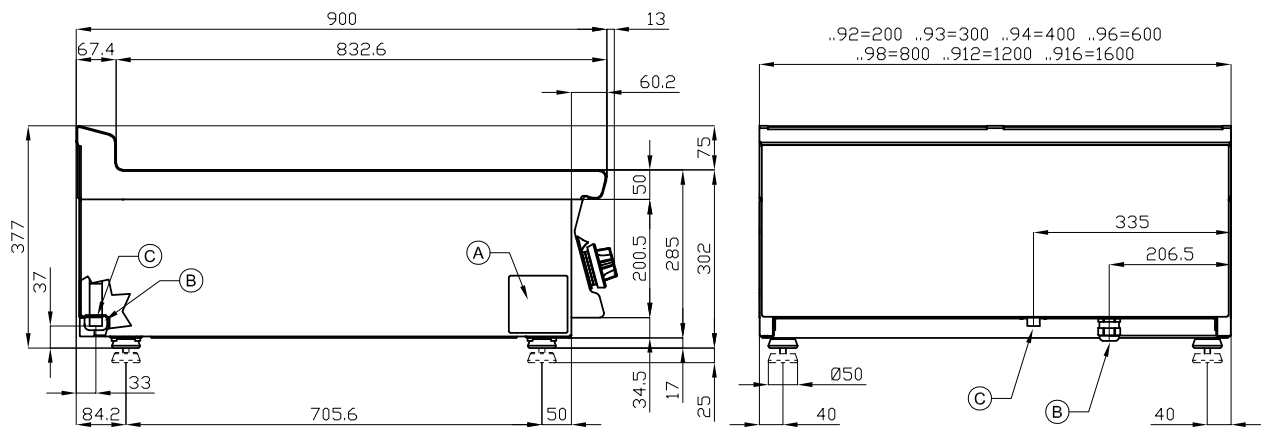
Technical data sheet

Technical drawing



Cooking range induction WOK digital

Model	SAP Code	00013613
--------------	-----------------	----------



A	Data plate		B	Electrical connection	
---	------------	--	---	-----------------------	--

Technical data sheet

Technical parameters



Cooking range induction WOK digital

Model

SAP Code

00013613

1. SAP Code:

00013613

2. Net Width [mm]:

400

3. Net Depth [mm]:

900

4. Net Height [mm]:

280

5. Net Weight [kg]:

26.00

6. Gross Width [mm]:

430

7. Gross depth [mm]:

970

8. Gross Height [mm]:

540

9. Gross Weight [kg]:

34.00

10. Device type:

Electric unit

11. Construction type of device:

Table top

12. Power electric [kW]:

5.000

13. Loading:

400 V / 3N - 50 Hz

14. Exterior color of the device:

Stainless steel

15. Material:

AISI 304

16. Worktop type:

Molded - comfortable cleaning maintenance

17. Worktop Thickness [mm]:

2.00

18. Number of zones:

1

19. Power consumption of the zone 1 [kW]:

5

20. Service accessibility:

From the front by removing the front panel and waste fluid containers

21. Safety thermostat:

Yes

22. Adjustable feet:

Yes

23. Number of burners/hot plates:

1

24. Type of electric cooking zones:

Induction